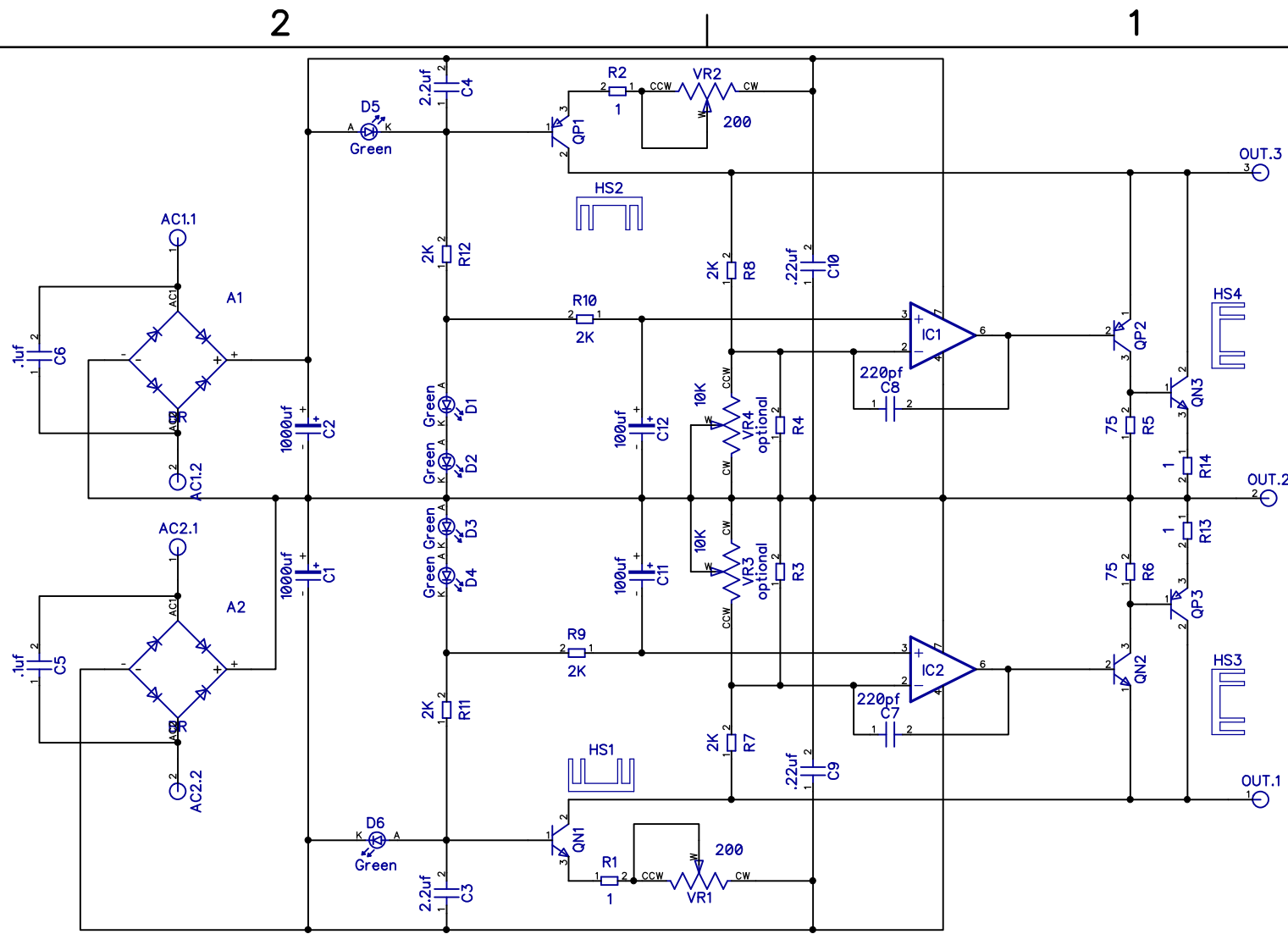


B

A

B

A



VRef as shown will be close to 4V  
 $V_{out} = V_{Ref} * (1 + (R_F / R_G))$   
 Where R<sub>F</sub> is R7/R8 and R<sub>G</sub> is R3/R4

Twisted Pear Audio

Placid BP Bipolar Shunt Regulated Supply

Russ White

Copyright 2009

SIZE FSCM NO.

DWG NO.

2.1.2

DIY Use Only

SCALE

Sheet 1

2

1