

2

1

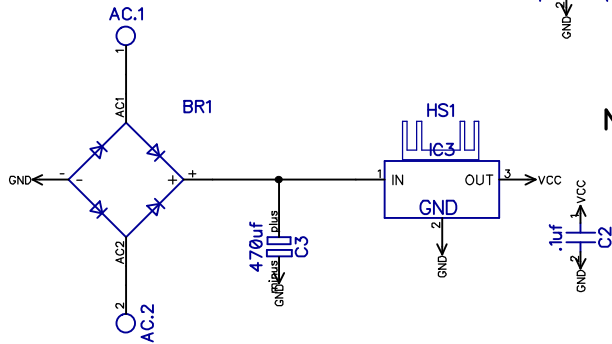
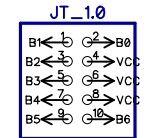
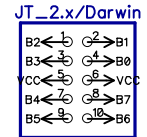
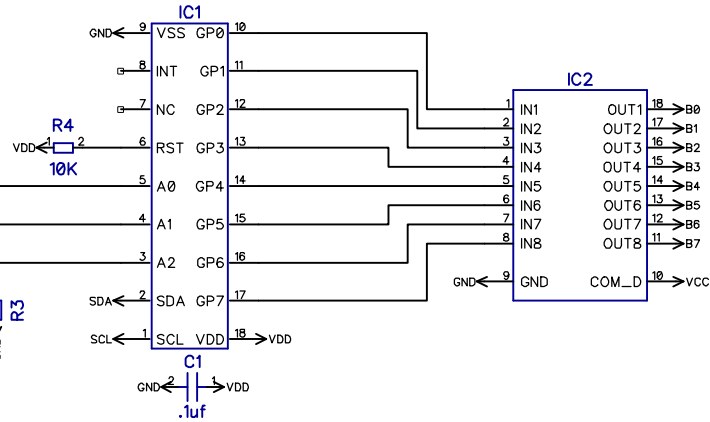
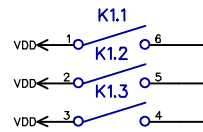


CONTROL.1
1 → VDD

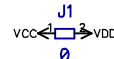
CONTROL.2
2 → GND

CONTROL.3
3 → SDA

CONTROL.4
4 → SCL



Note: The SCL and SDA lines are NOT pulled up by this cct.



J1 Allows the on-board PS to power the port expander when using a 5V VREG

Twisted Pear Audio		I2C Relay Driver			
		Russ White			
DIY Use Only	SIZE	FSCM NO.	DWG NO.	REV 1	
Copyright 2008	SCALE			Sheet 1	

2

1